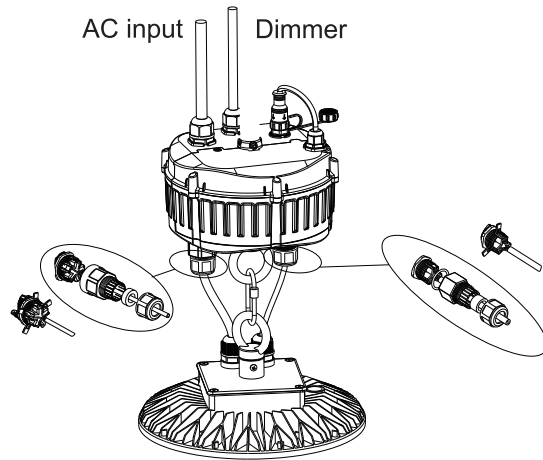
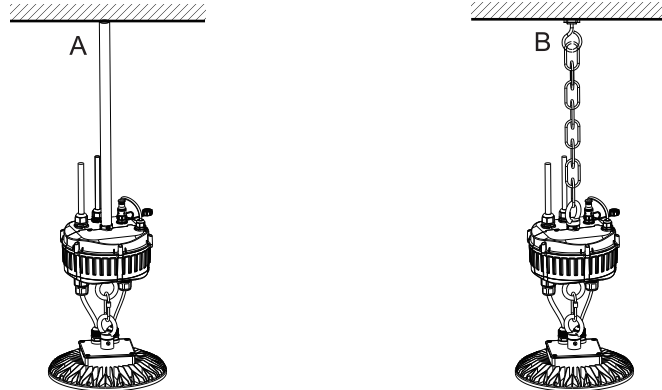


5. Wiring.



6



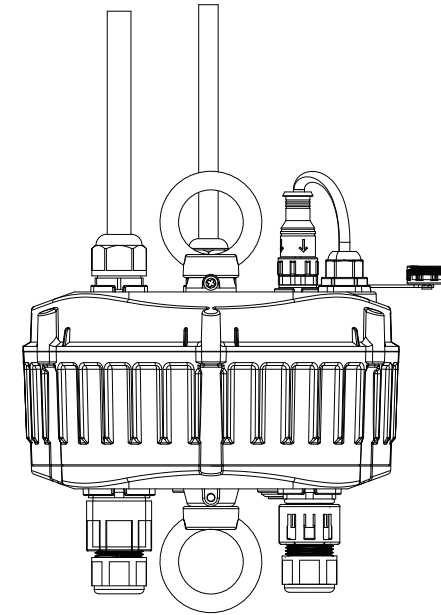
7. Explanation of LED indicator

State	Color	LED indication	Status	Comment
	Green	Permanent green	Charging Mode Fully Charged	AC mode
	Green	Fast flashing green (0.1 sec on, 0.1 sec off)	Function test underway	
	Green	Slow flashing green (1 sec on, 1 sec off)	Duration test underway	
	Red	Permanent red	Load failure	Open circuit/ Short circuit Led failure (emergency mode)
	Red	Slow flashing red (1 sec on, 1 sec off)	Battery failure	Battery failed the duration test or function test / No battery
		Green and red off	DC mode	Battery operation (emergency mode)

Instruction manual

AltumPro EM Kit

111669



V2 09/05/2024

UK Manufacturer: BH17 7BY
EU Manufacturer: Brilliant AG,
Brilliantstrasse 1, D-27442 Gnarrenburg





saxby
lighting

www.saxbylighting.com

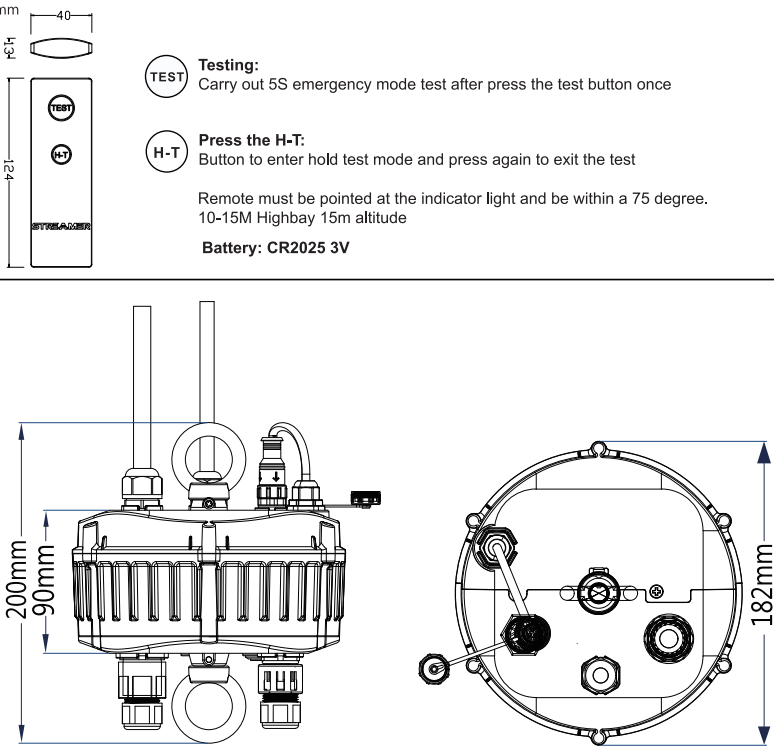
saxby
lighting

Thank you for purchasing this product. Please read the instruction carefully before use to ensure safe and satisfactory operation of this product. Please retain these instruction for future reference.

-  1. Installation and commissioning may only be carried out by authorized specialists and wired in accordance with the latest IEE electrical regulations or the national standards.
-  2. Mains power must be switched off before carrying out installation.
3. The manufacturer, shall not be liable for any damage resulting from inappropriate modifications to the luminaire or faulty installation.
4. Caution, risk of electric shock.
- The control gear provides basic insulation between the LV supply and the control circuit.

Rated	Battery	Emergency power	Duration
Input: 220-240V~, 50-60Hz, 120mA, 8W, P.F>0.5 Output: DC200-250V Over voltage protection Output current: 40-120mA Surge: 2KV(L-N) 4KV(L/N-PE) Recharging current: 500mA Battery charge time: 24hours Discharging current: 0.8-2.4A Time to light: <0.5s Switch voltage: 155-175V Battery cutoff voltage: 10.6V Battery warranty: 5 years (Based on working temperature 0 - 45°)	LiFePO4 12.8V 6.3Ah (32700*6.3Ah*4pcs)	20W cp	180 minutes

Unit: mm



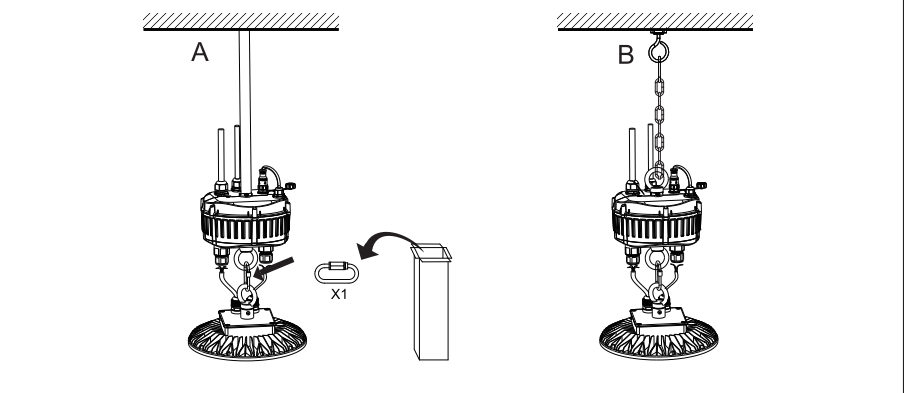
TEST Testing:
Carry out 5S emergency mode test after press the test button once

H-T Press the H-T:
Button to enter hold test mode and press again to exit the test

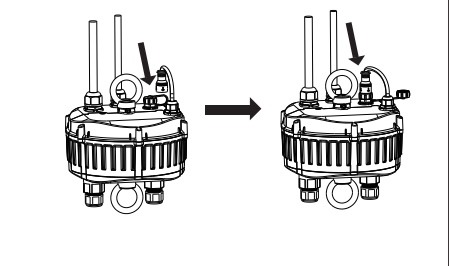
Remote must be pointed at the indicator light and be within a 75 degree.
10-15M Highbay 15m altitude

Battery: CR2025 3V

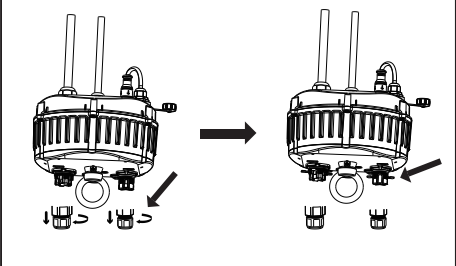
1. Connect emergency driver between boom/chain and luminaire.



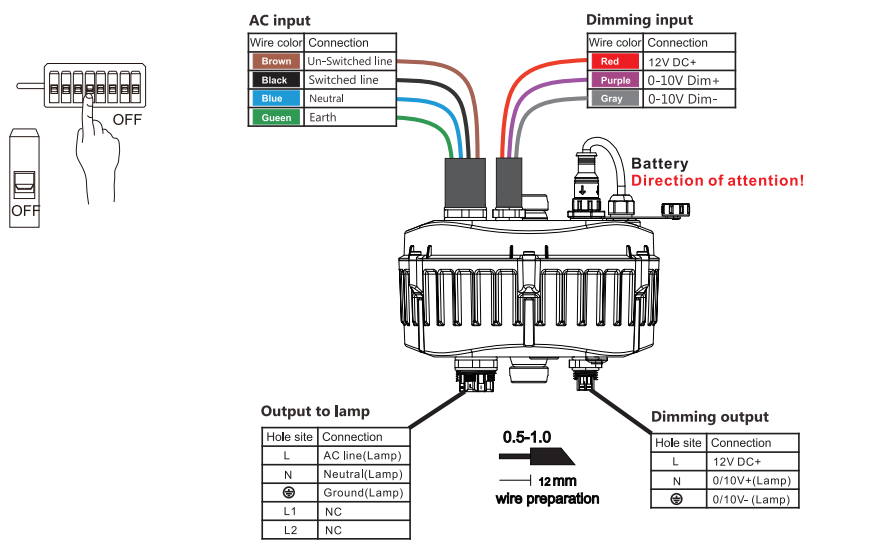
2. Connect battery.



3. Remove end cap of quick connector.



4. Check wiring diagram and power off before wiring.



AC input

Wire color	Connection
Brown	Un-Switched line
Black	Switched line
Blue	Neutral
Green	Earth

Dimming input

Wire color	Connection
Red	12V DC+
Purple	0-10V Dim+
Gray	0-10V Dim-

Output to lamp

Hole site	Connection
L	AC line(Lamp)
N	Neutral(Lamp)
⊕	Ground(Lamp)
L1	NC
L2	NC

Dimming output

Hole site	Connection
L	12V DC+
N	0/10V+(Lamp)
⊕	0/10V-(Lamp)

Battery
Direction of attention!

0.5-1.0
12mm
wire preparation